

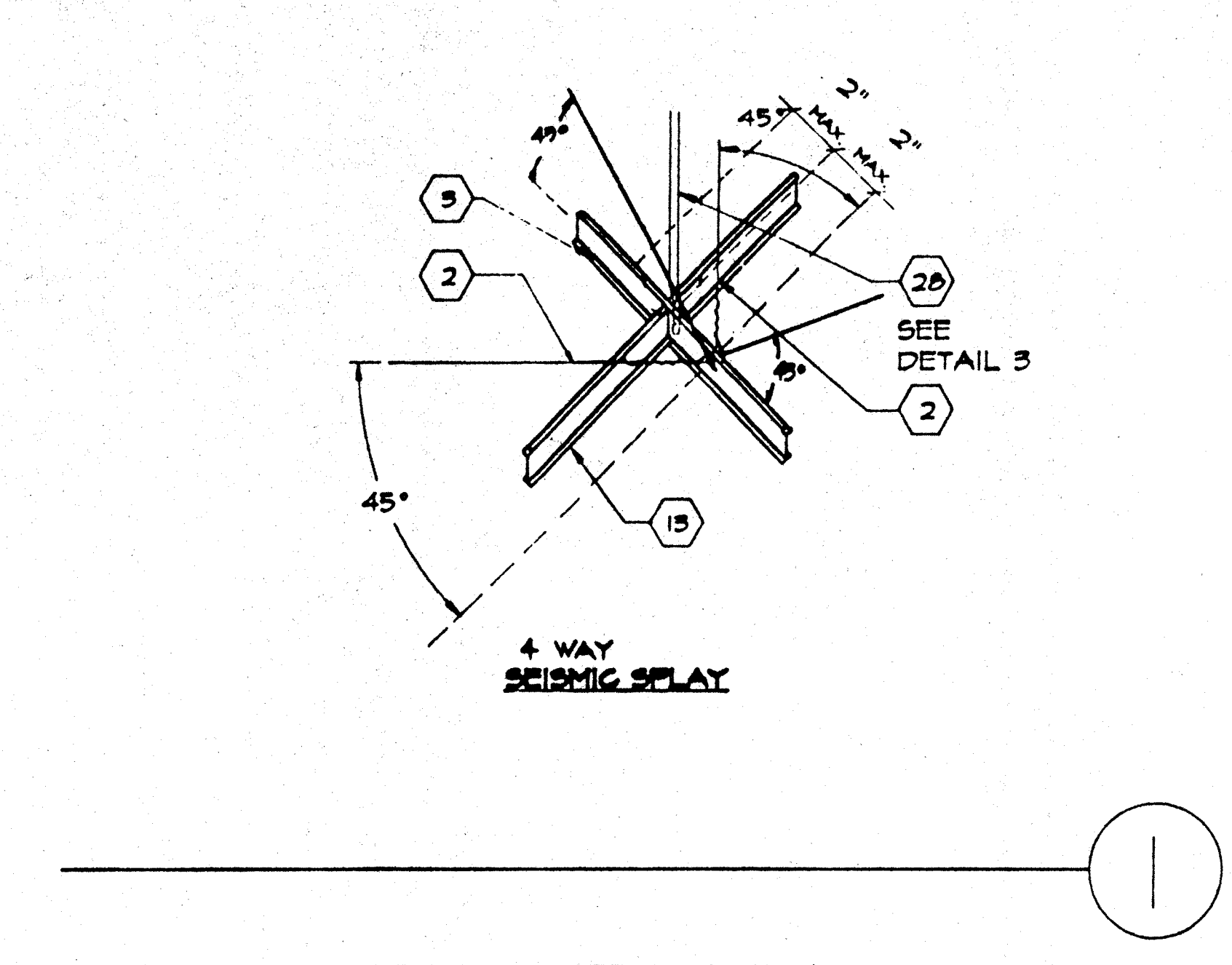
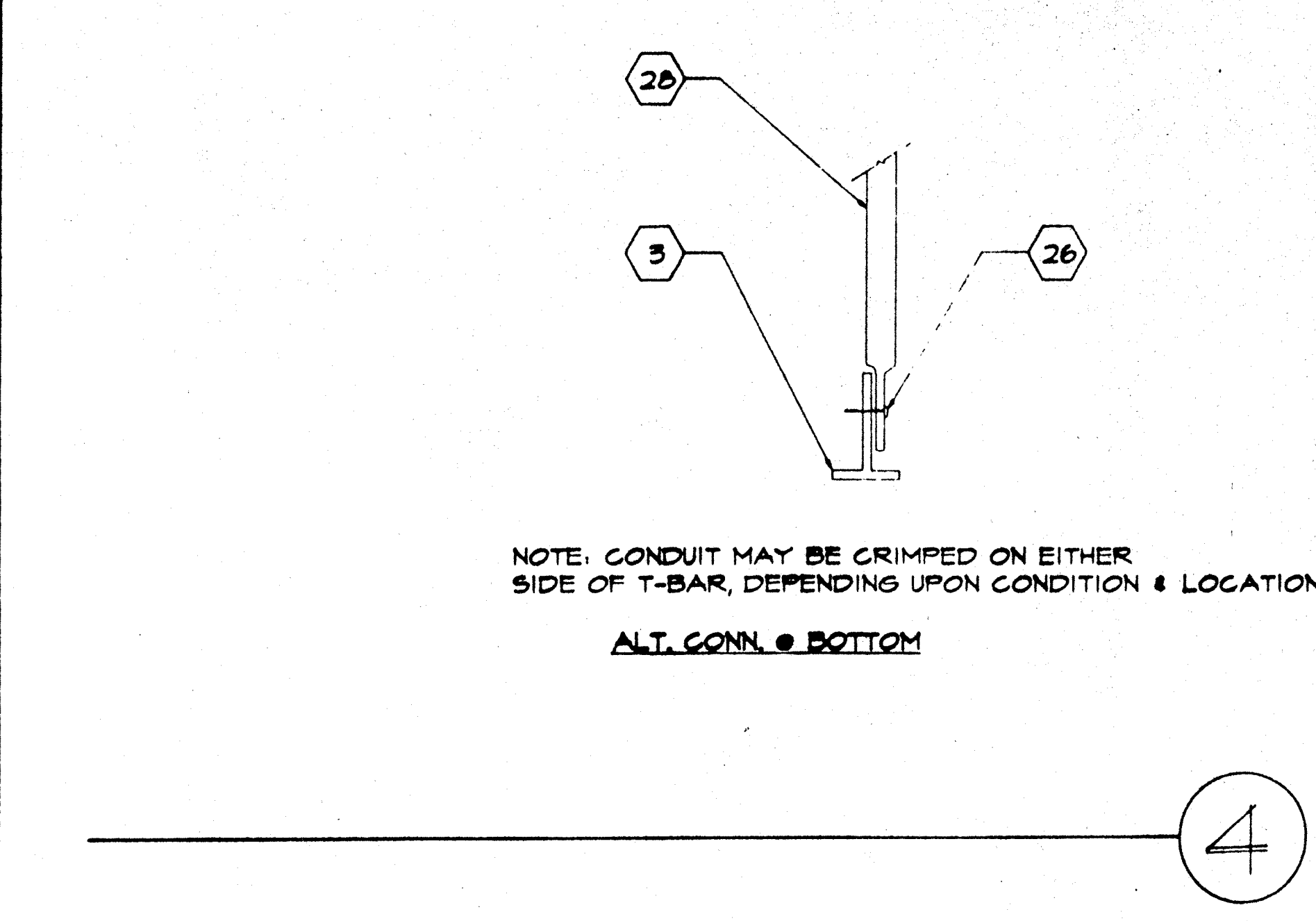
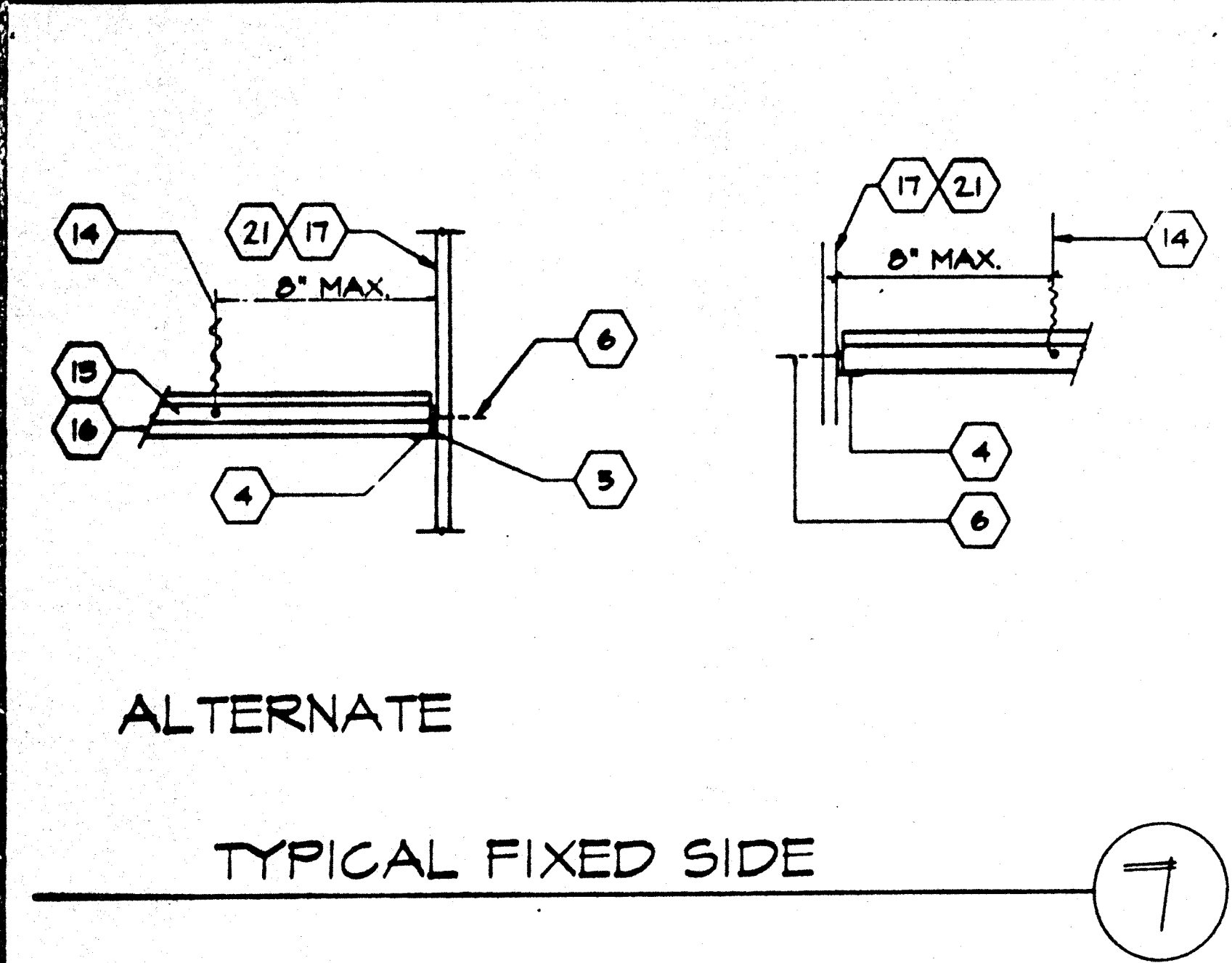
This document and all other project documents, ideas, aesthetics and designs incorporated herein are instruments of service. All project documents are copyright protected, are the property of LPA, Inc. (LPA) and cannot be lawfully used in whole or in part for any project or purpose except as set forth in the contractual agreement between LPA and its Client. The unauthorized disclosure and/or use of the project documents (including the creation of derivative works) may give rise to liability for copyright infringement, unlawful disclosure, use or misappropriation of property rights held by LPA. The unauthorized use of the project documents will give rise to the recovery of monetary losses and damages including attorney fees and costs for which the unauthorized user will be held liable. Project documents describe the design intent of the work and are not a representation of as-built or existing conditions. LPA is not responsible for any discrepancies between the project documents and the existing conditions.

© LPA, Inc.

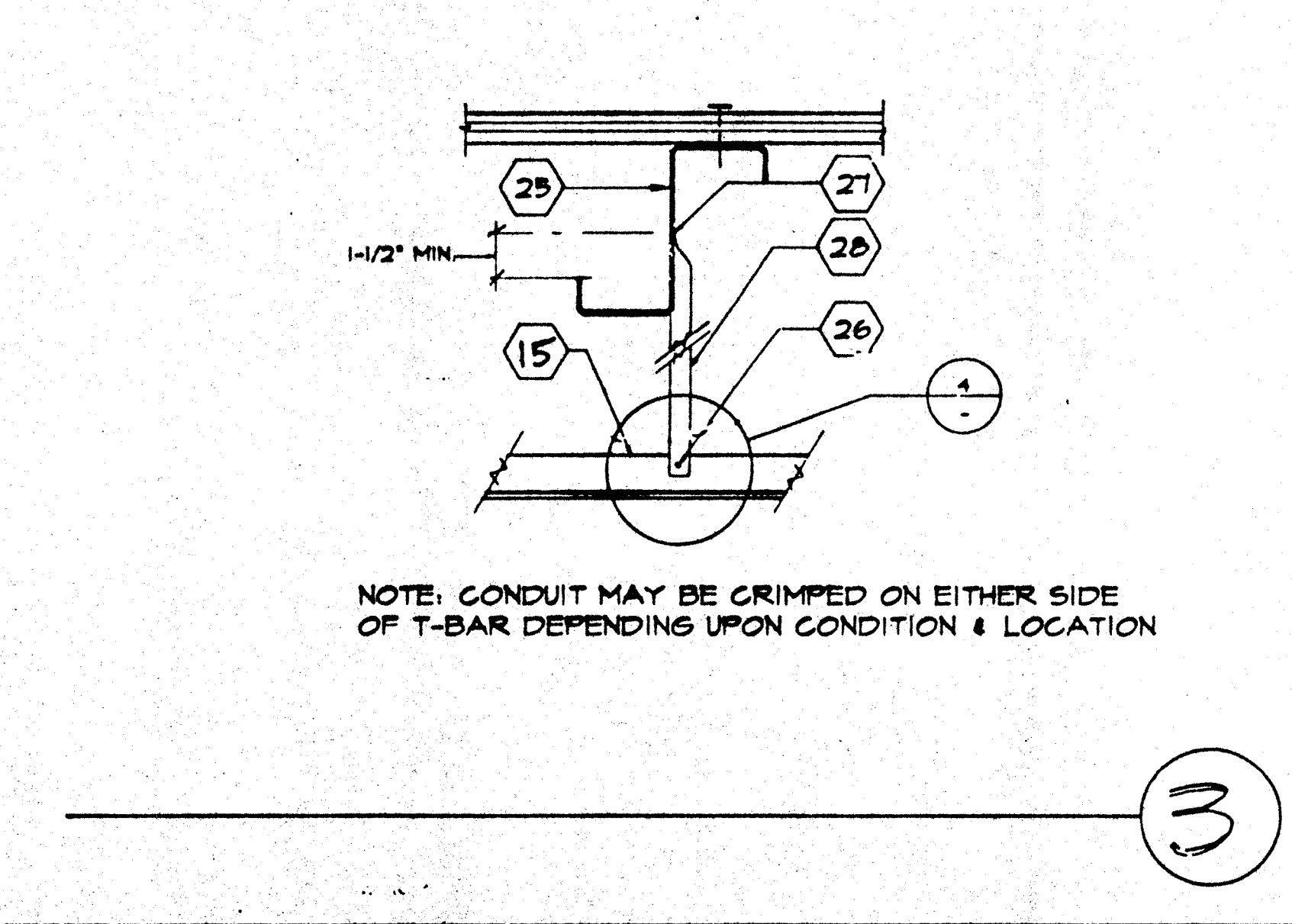
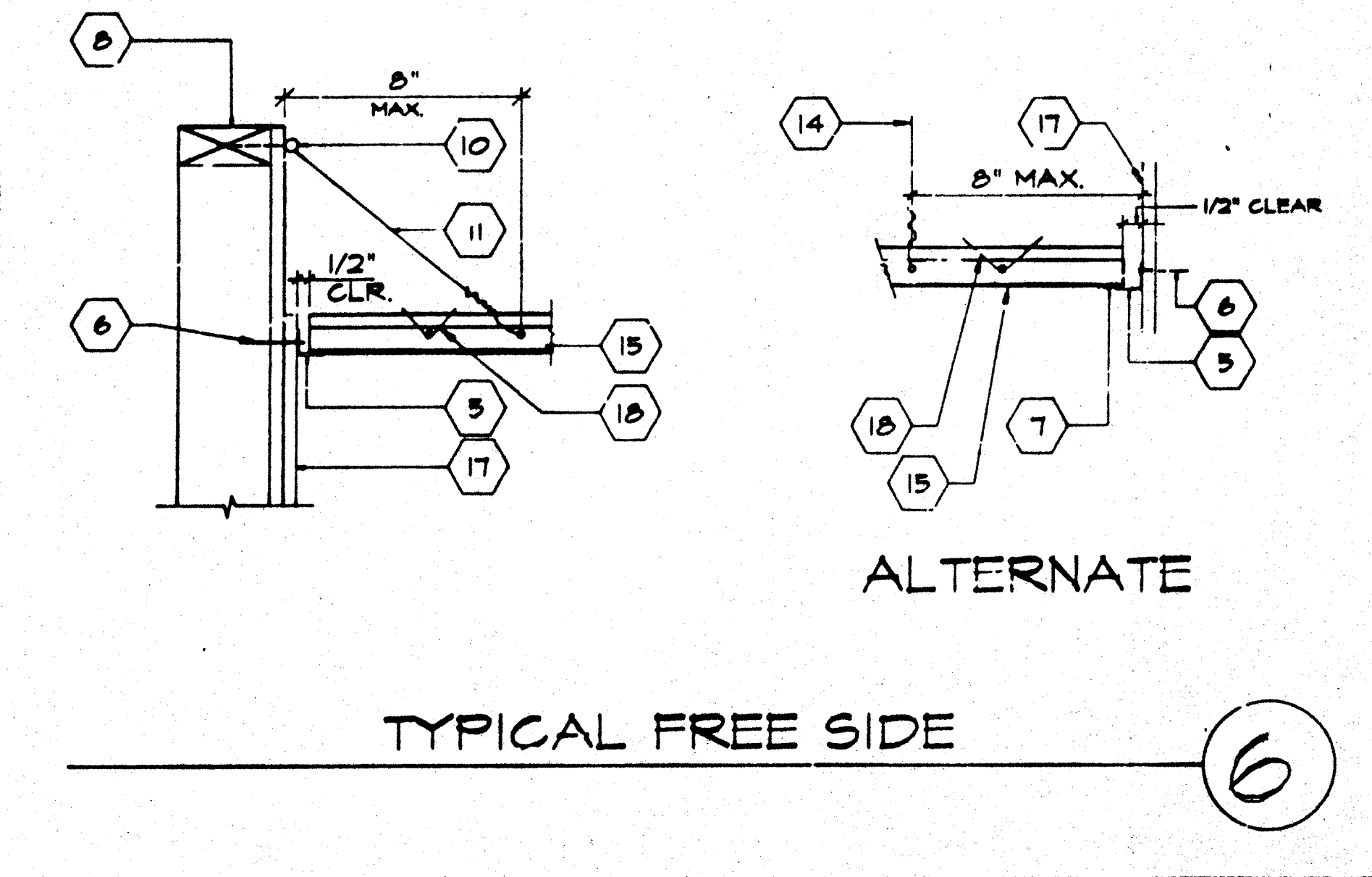
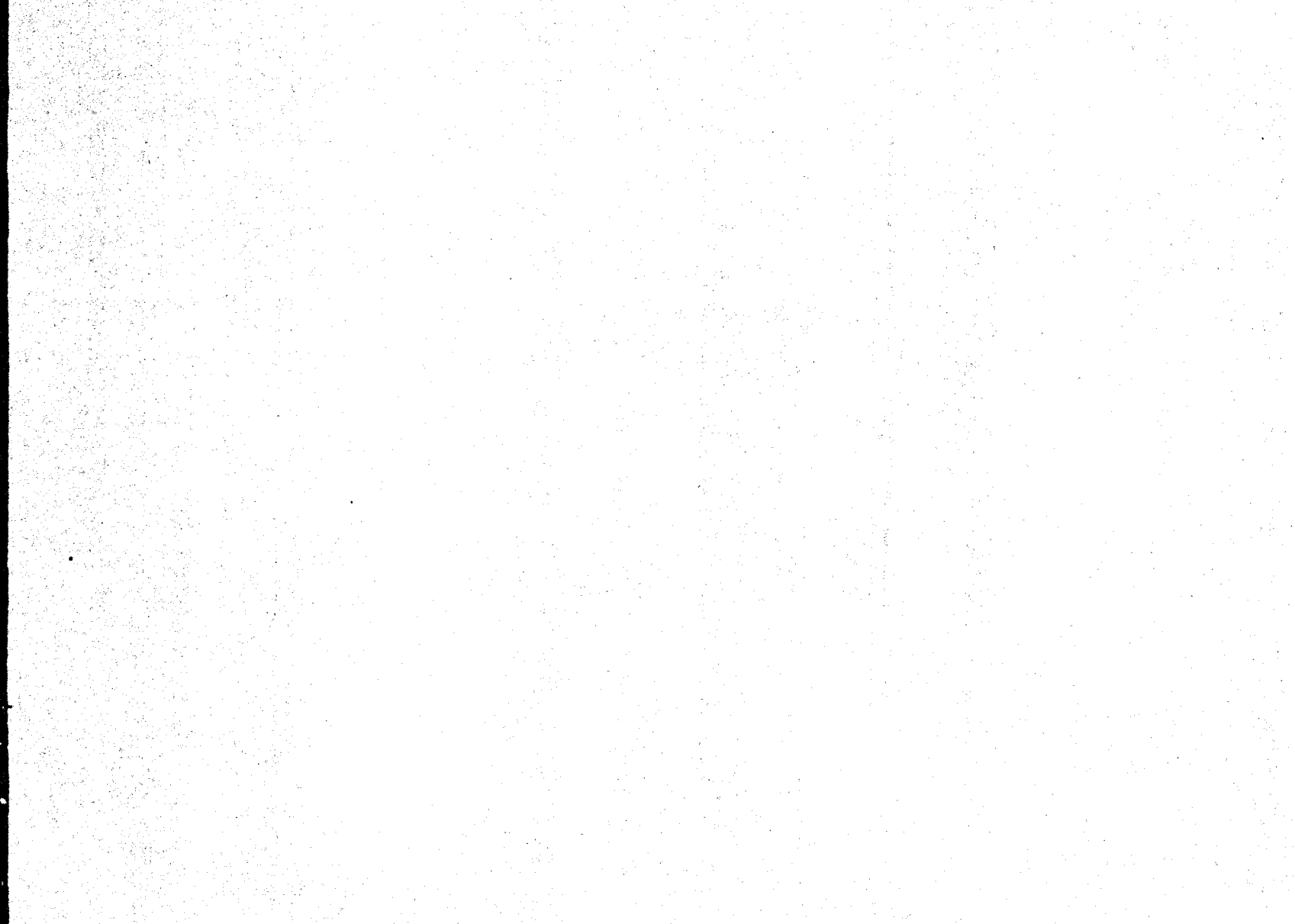
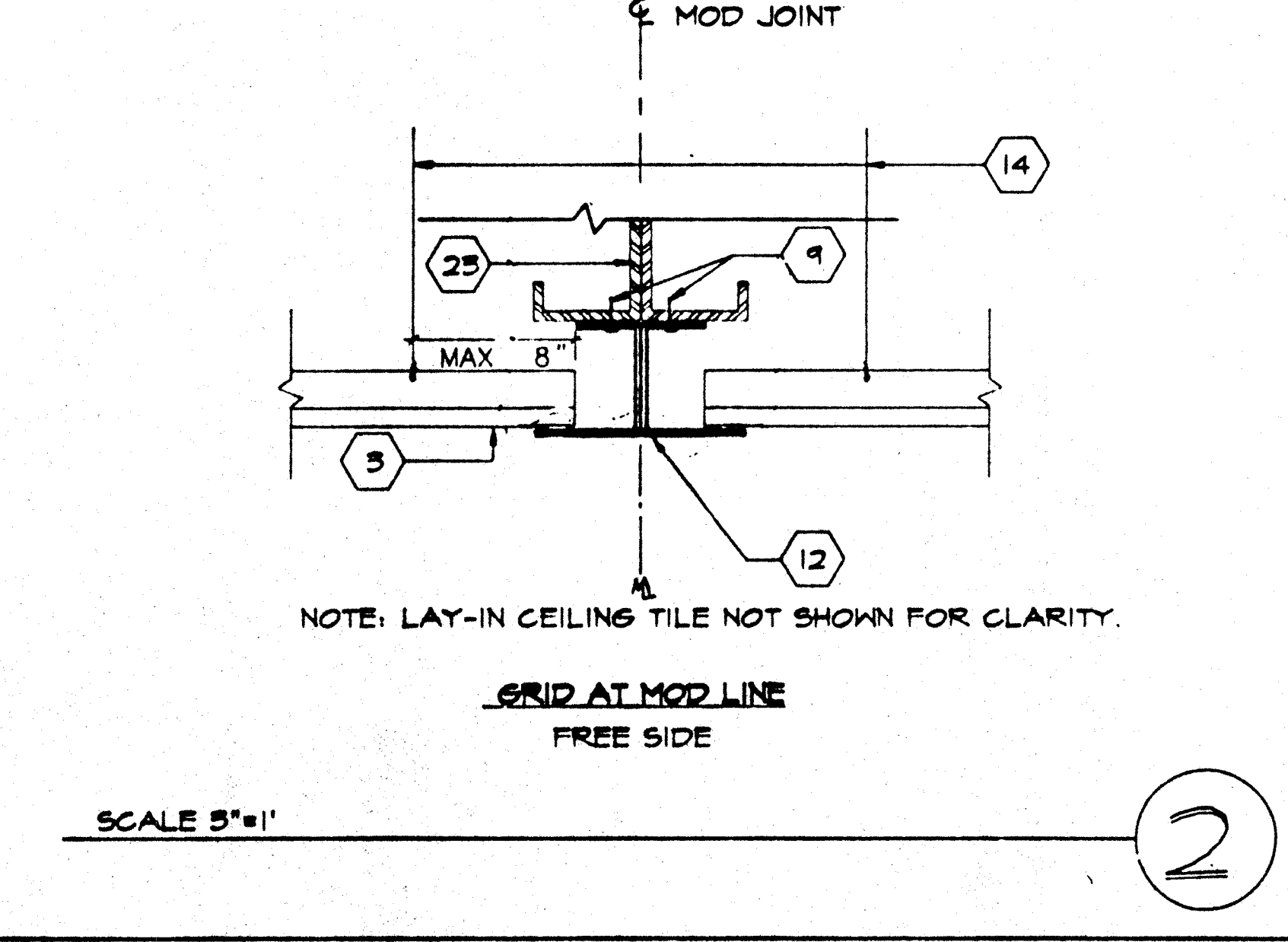
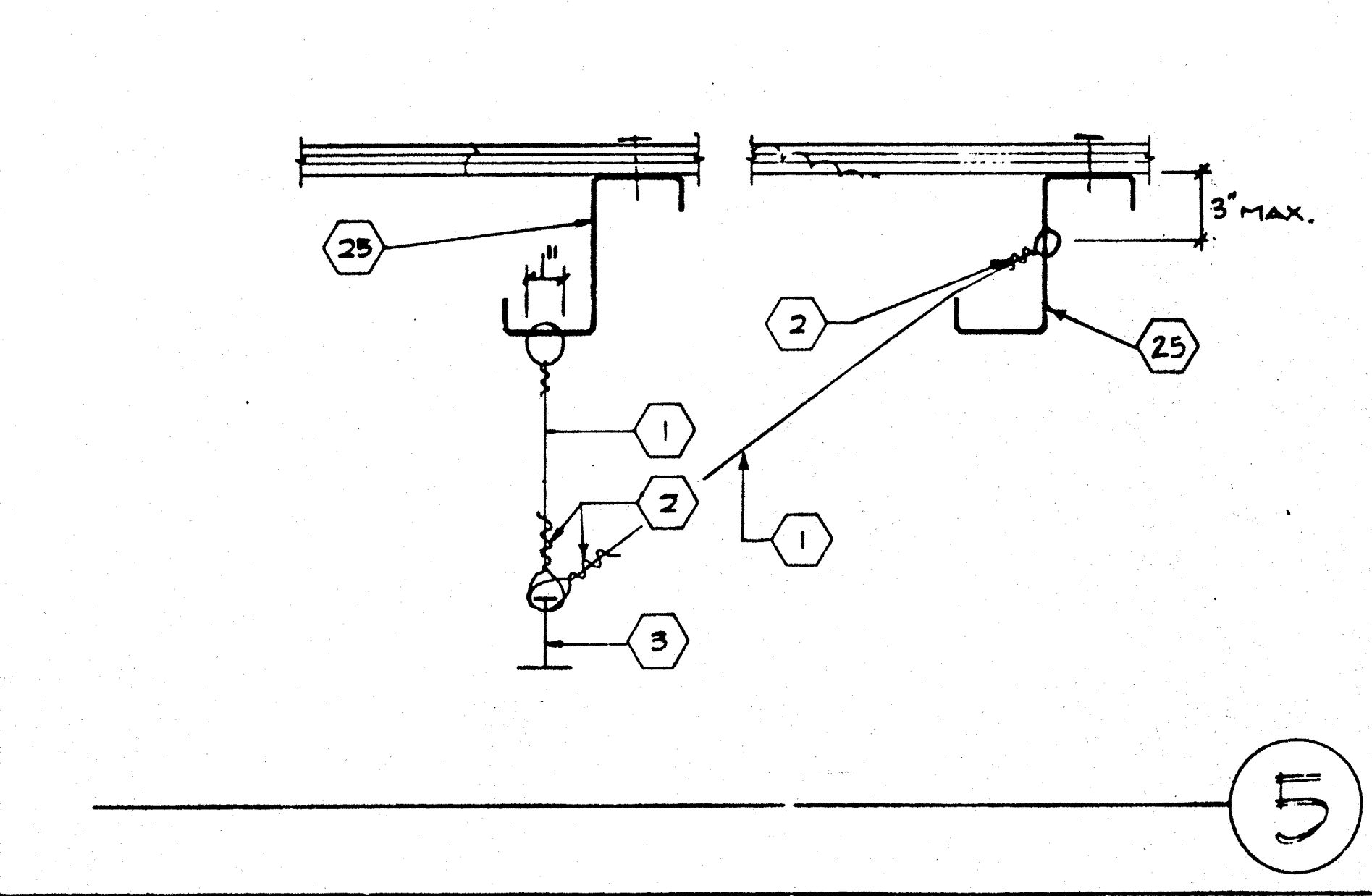
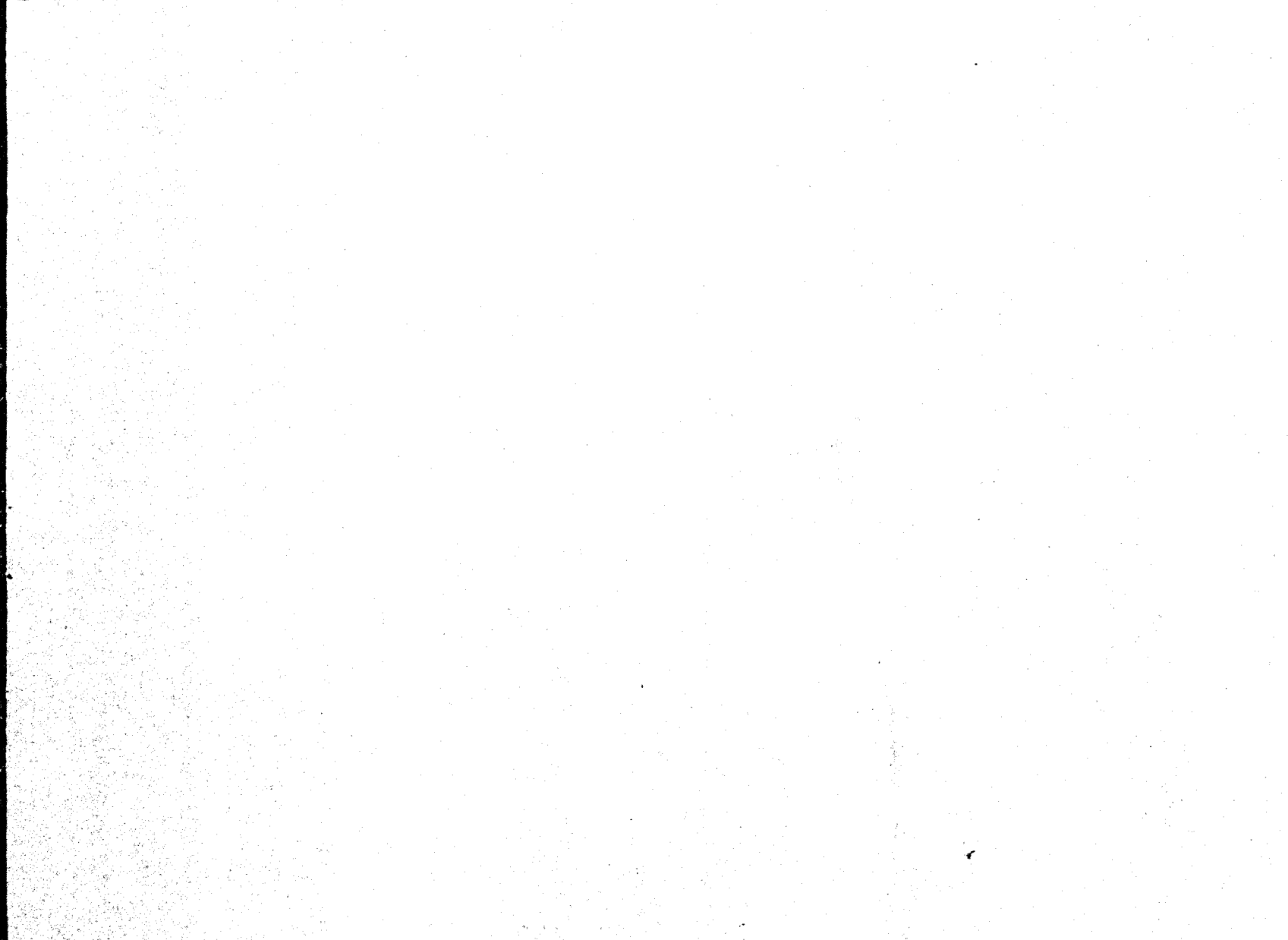
MADISON ELEMENTARY SCHOOL  
 INTERIM HOUSING PORTABLES  
 3635 Madison Street  
 Riverside, CA 92504  
 Developed for  
 Riverside Unified School District

Date	
Revised	

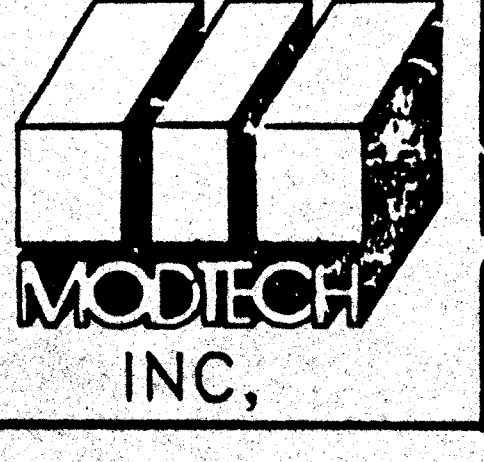
Date	12/04/18
100% CONSTRUCTION DOCUMENTS	12/19/2018
100% CONSTRUCTION DOCUMENTS - CSA	2/26/2019
DSA SUBMITTAL V2	



- KEY NOTES**
- 1 12GA HANGER WIRE IN PUNCHED OR DRILLED HOLE
  - 2 12GA WIRE WITH 4 WRAPS IN 1 1/2" (TYP) WIRE TO RUN PERPENDICULAR TO MAIN TEE
  - 3 MAIN RUNNER
  - 4 1/8" Ø POP RIVET TO EACH T-BAR
  - 5 WALL ANGLE
  - 6 @ 16" @ FRAMING TO WALL STUD
  - 7 ANGLE WITH 1/8" Ø POP RIVET TO EACH T-BAR NO CONNECTION TO WALL ANGLE
  - 8 TOP PLATE
  - 9 #10 S.T.S.V.S. @ 4" O.C.
  - 10 3"X1/4" EYED SCREW
  - 11 HANGER TO WALL WHERE NO RAFTER ABOVE MAX SLOPE 1" IN 6"
  - 12 28GA JETCOAT
  - 13 CROSS TEE
  - 14 12GA HANGER WIRE AT THE END ON EACH RUNNER MIN. 4 WRAPS IN MAX 1 1/2" - SEE DETAIL #5 FOR WIRE TO FURLIN ATTACHMENT.
  - 15 MAIN RUNNERS OR CROSS TEES
  - 16 ACOUSTICAL BOARD
  - 17 FINISH WALL
  - 18 HORIZONTAL STRUTS SHALL RUN CONTINUOUS AT ALL PERIMETERS NOT POP RIVETED TO THE WALL ANGLE USE 60 RING SHANK NAIL TO EA TEE
  - 19 NOT USED
  - 20 NOT USED
  - 21 PROVIDE SPACE AT ALL MEMBERS AT OPPOSITE WALL
  - 22 NOT USED
  - 23 ROOF BEAM (SEE STRUCTURAL)
  - 24 NOT USED
  - 25 ROOF FURLIN (SEE STRUCTURAL)
  - 26 CRIMP CONDUIT AND ATTACH TO T-BAR GRID W/ #8 TEKSCREWS
  - 27 CRIMP CONDUIT TO RAFTER W/ #8 TEKSCREW
  - 28 3/4" EMT CONDUIT - MAX 5'-2"
  - 29 NOT USED



ARCHITECT	ELECTRICAL	STRUCTURAL	MECHANICAL	FIRE MARSHAL	ACCESS COMPLIANCE	STRUCTURAL SAFETY



PC - P1 - 15  
 REFLECTED CEILING DETAILS

PC 275  
 A7.2