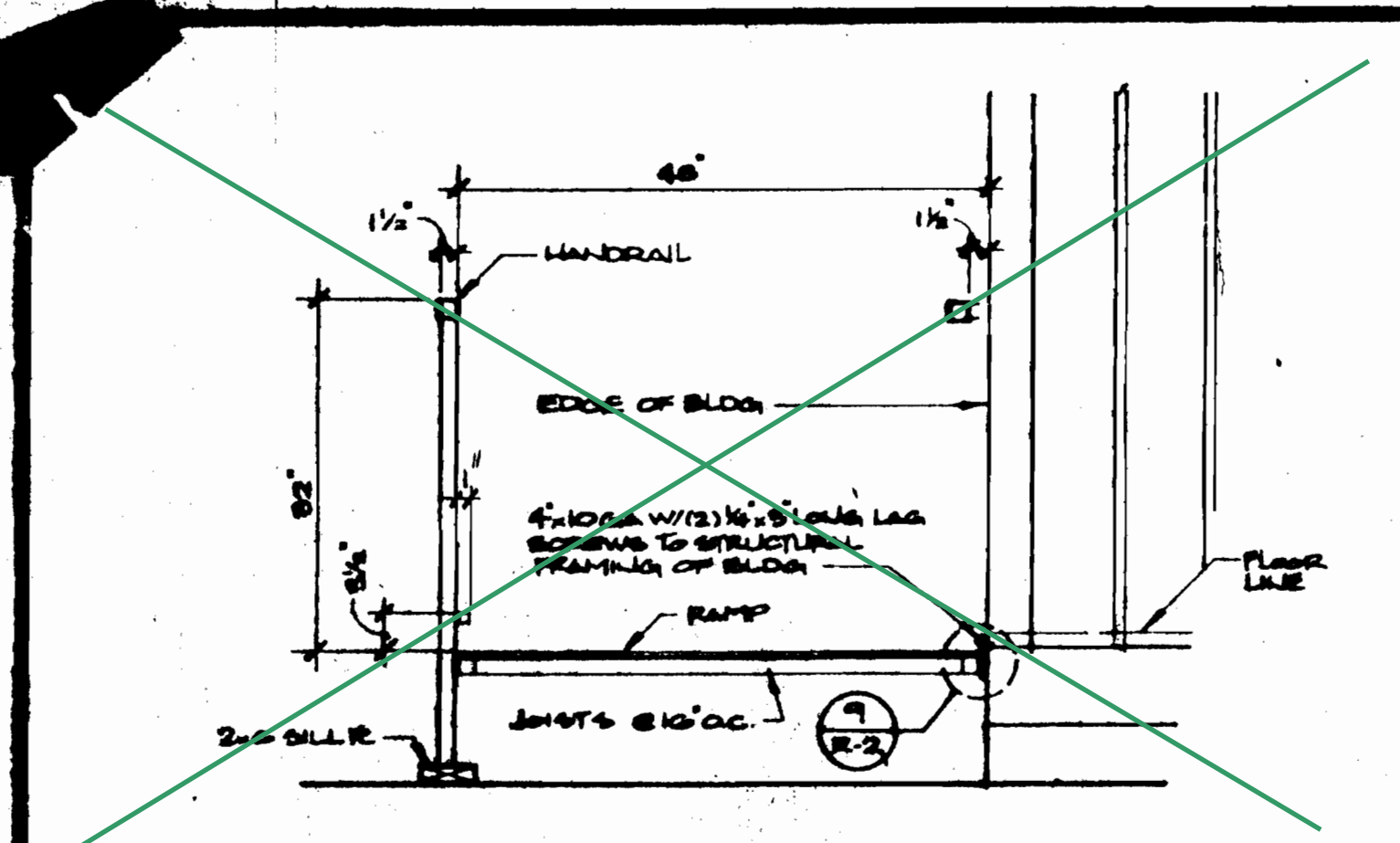


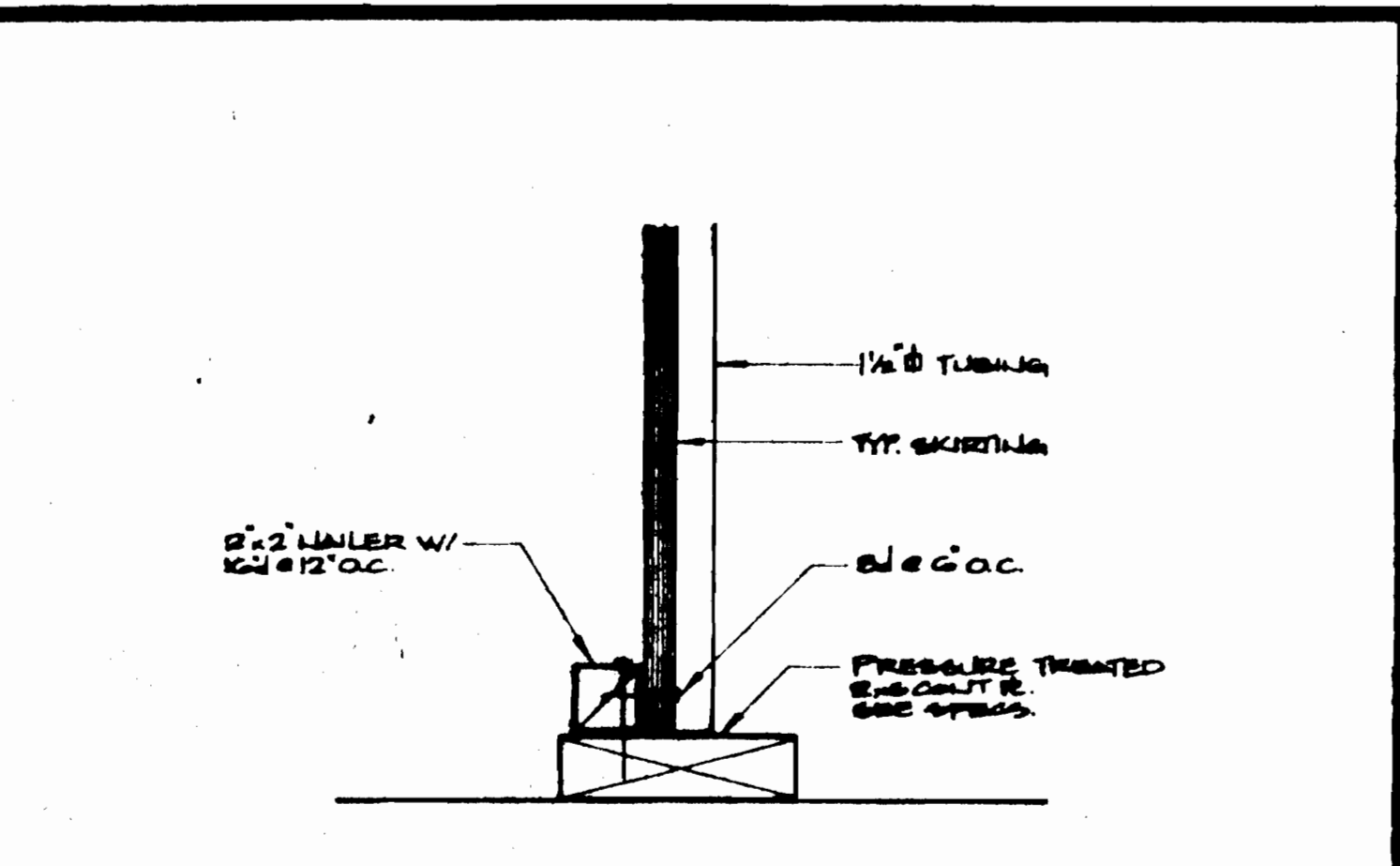
This document and all other project documents, ideas, aesthetics and designs incorporated herein are instruments of service. All project documents are copyright protected, are the property of LPA, Inc. (LPA) and cannot be lawfully used in whole or in part for any project or purpose except as set forth in the contractual agreement between LPA and its Client. The unauthorized disclosure and/or use of the project documents, including the creation of derivative works, may give rise to liability for copyright infringement, unlawful disclosure, use or misappropriation of property rights held by LPA. The unauthorized use of the project documents will give rise to the recovery of monetary losses and damages including attorney fees and costs for which the unauthorized user will be held liable. Project documents describe the design intent of the work and are not a representation of as-built or existing conditions. LPA is not responsible for any discrepancies between the project documents and the existing conditions.
 © LPA, Inc.

MADISON ELEMENTARY SCHOOL
 INTERIM HOUSING PORTABLES
 3635 Madison Street
 Riverside, CA 92504
 Developed for
 Riverside Unified School District

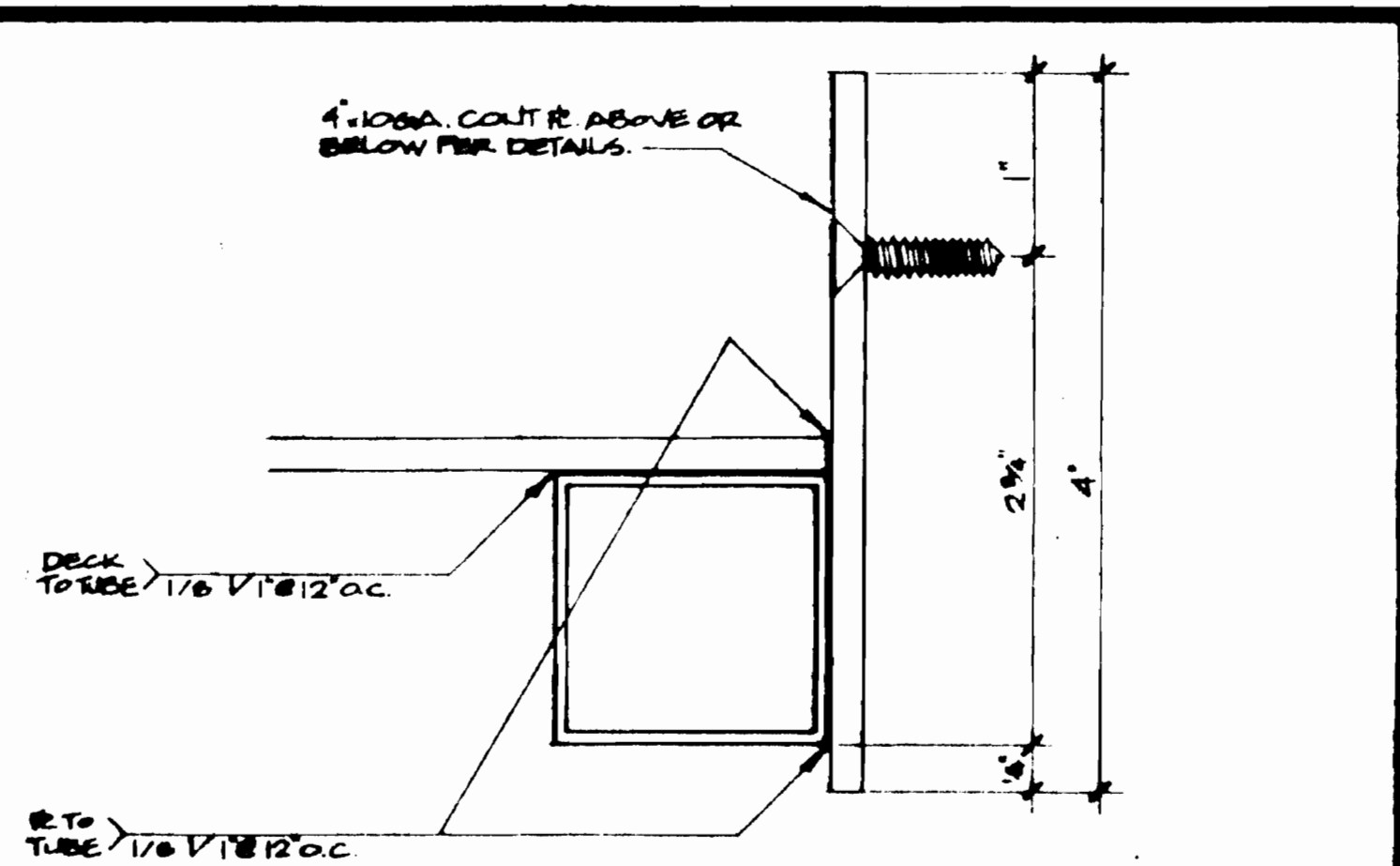
Date: 12/04/18
 100% CONSTRUCTION DOCUMENTS 12/19/2018
 100% CONSTRUCTION DOCUMENTS - USA 2/26/2019
 DSA SUBMITTAL V2
 Job No. 1720520
 Date 2/26/2019
 Checked by MKD
 Scale As indicated



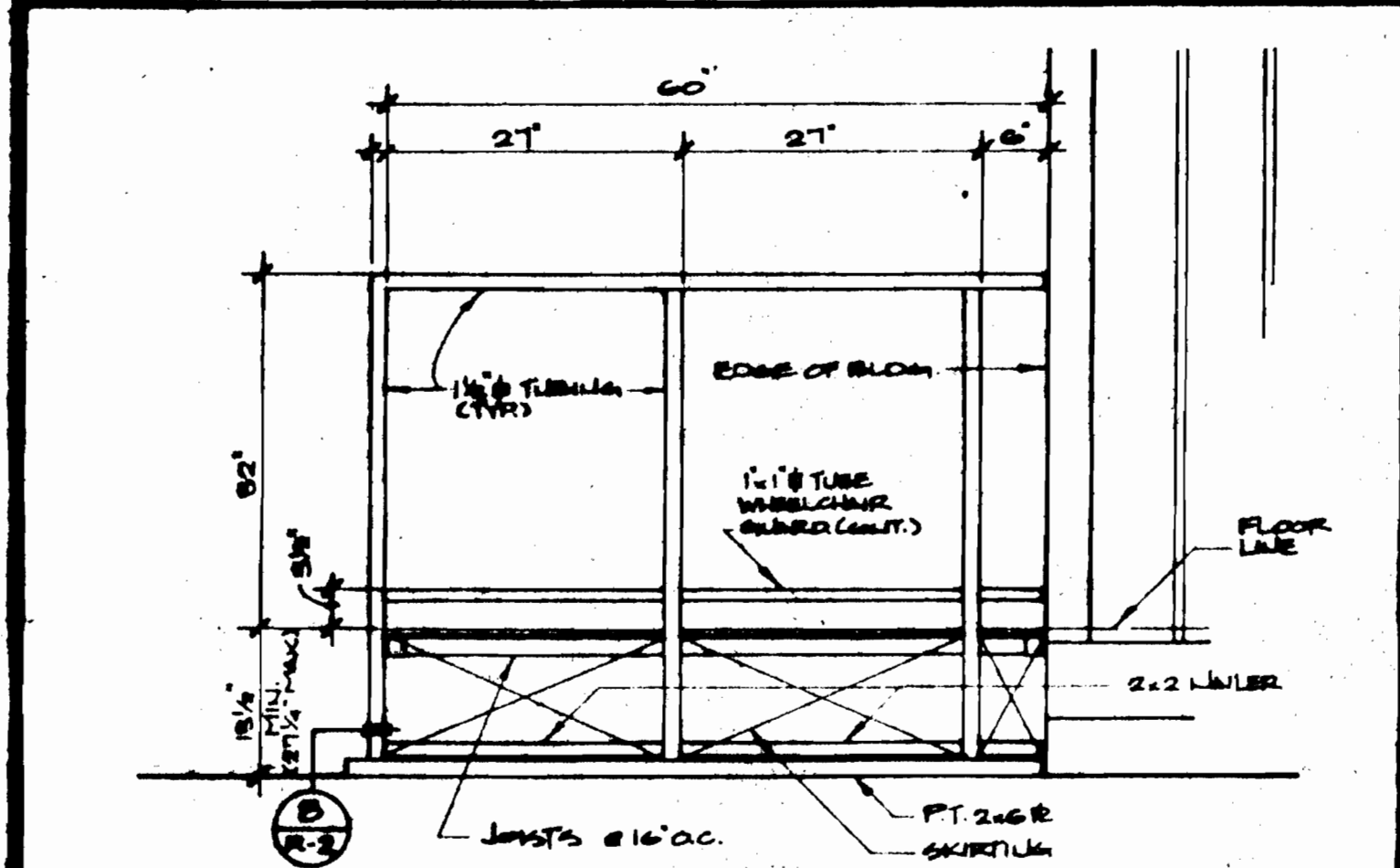
SECTION @ RAMP REFERENCE DETAIL 20/C5.01 FOR RAMP PER CURRENT CODE. SCALE: 3/4" = 1'



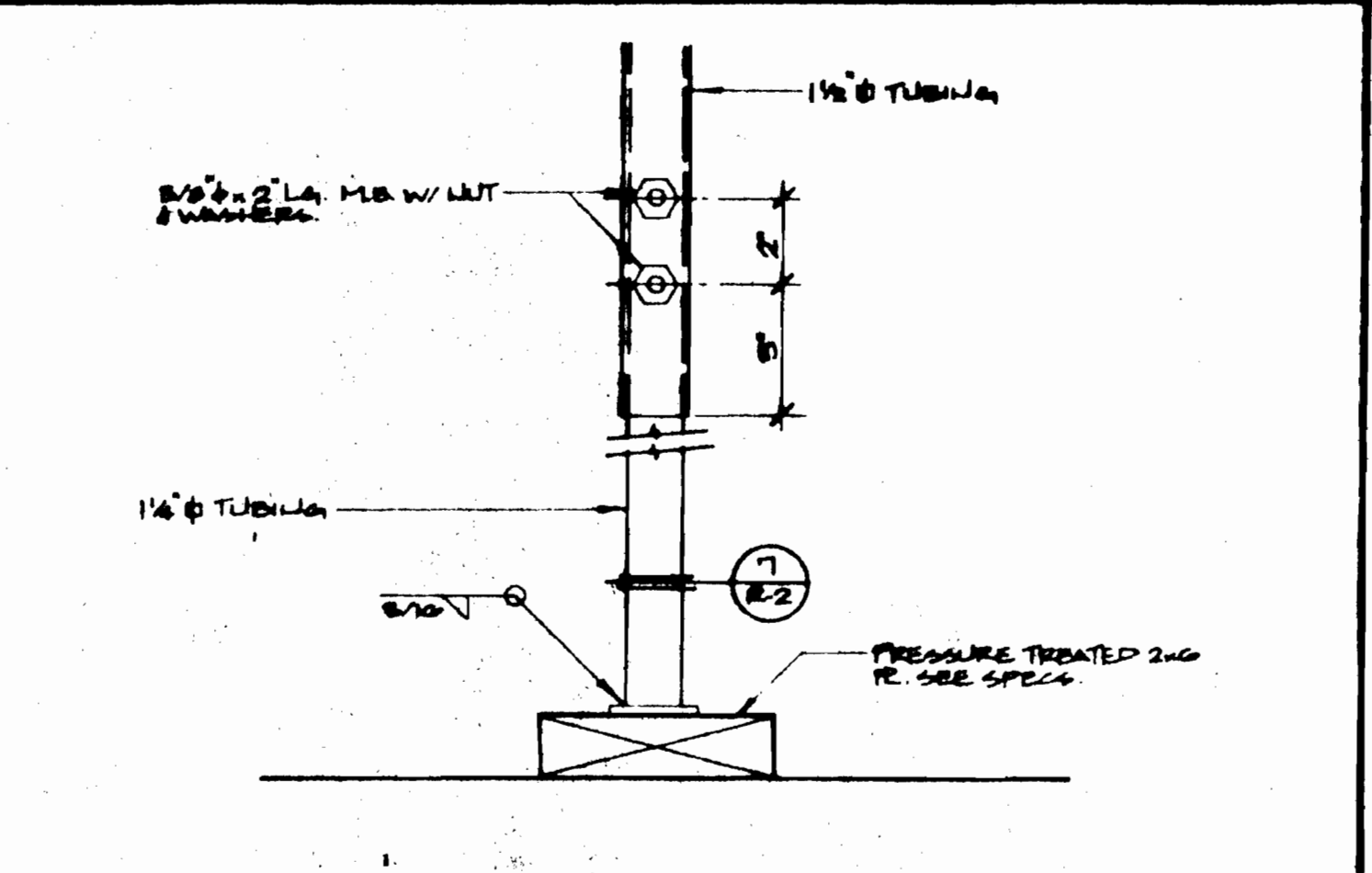
SKIRTING @ SILL PLATE SCALE: 3" = 1'



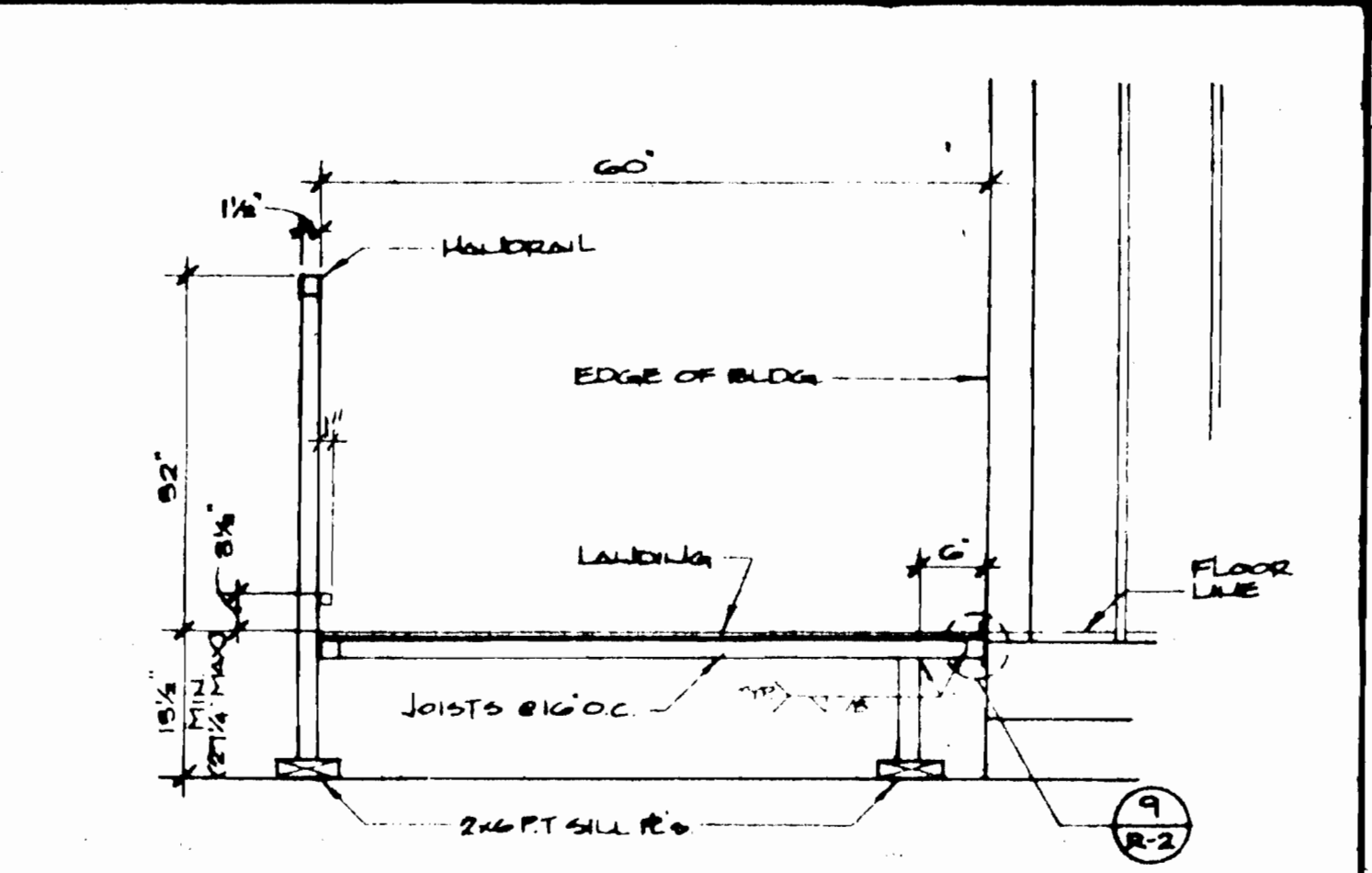
SECTION @ PLATE SCALE: FULL



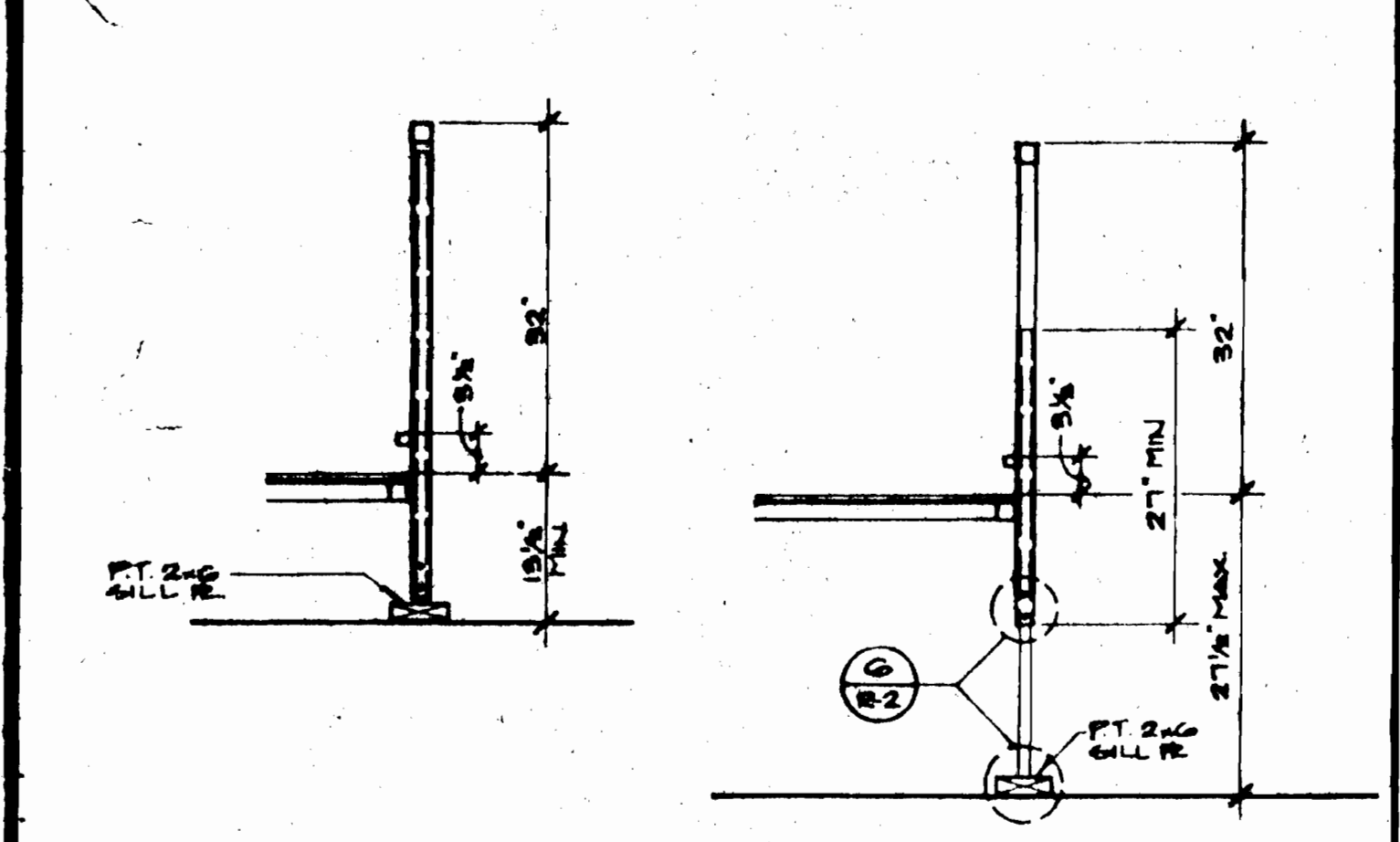
END ELEVATION SCALE: 3/4" = 1'



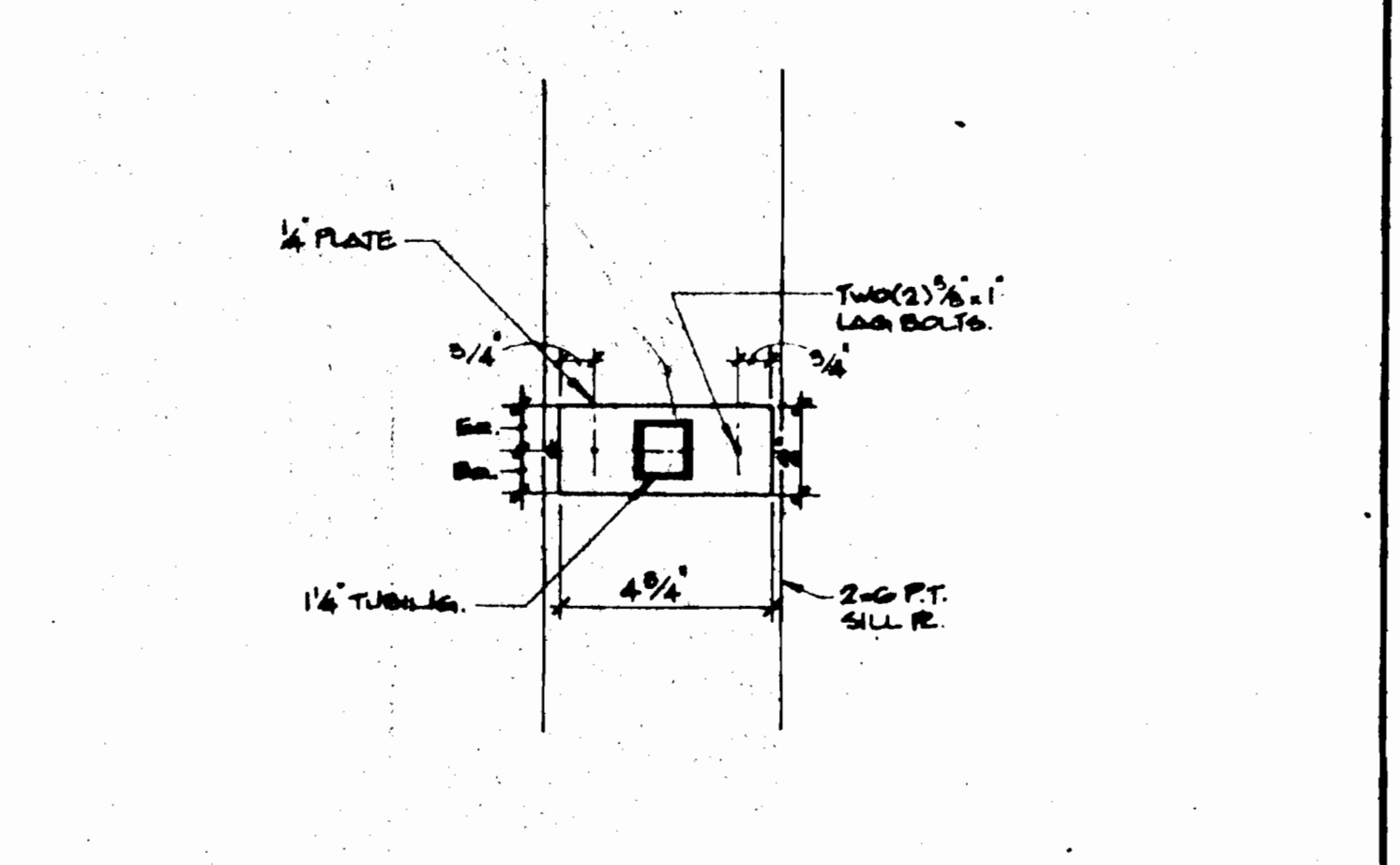
ADJUSTABLE LEG SCALE: 3" = 1'



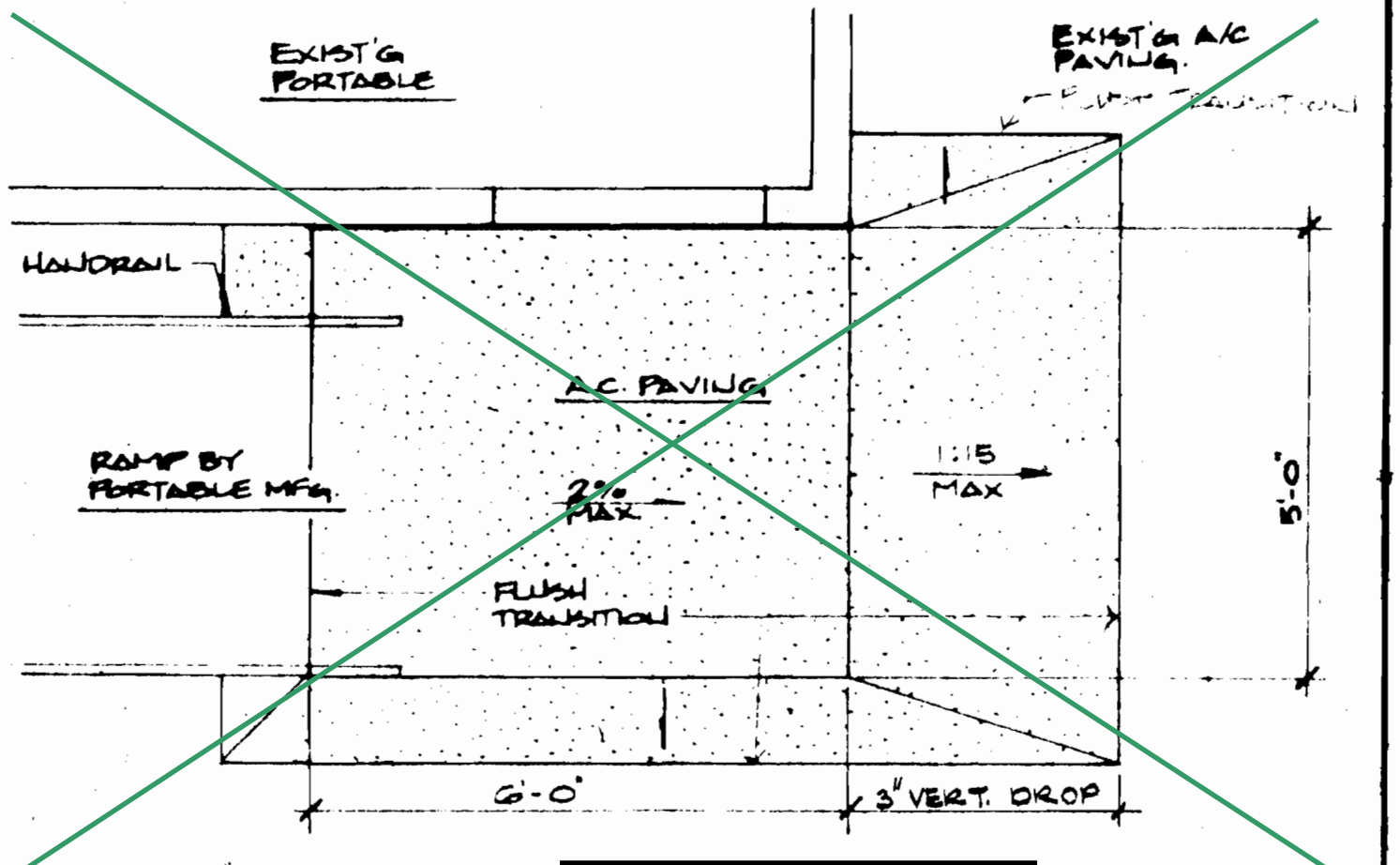
SECTION @ LANDING SCALE: 3/4" = 1'



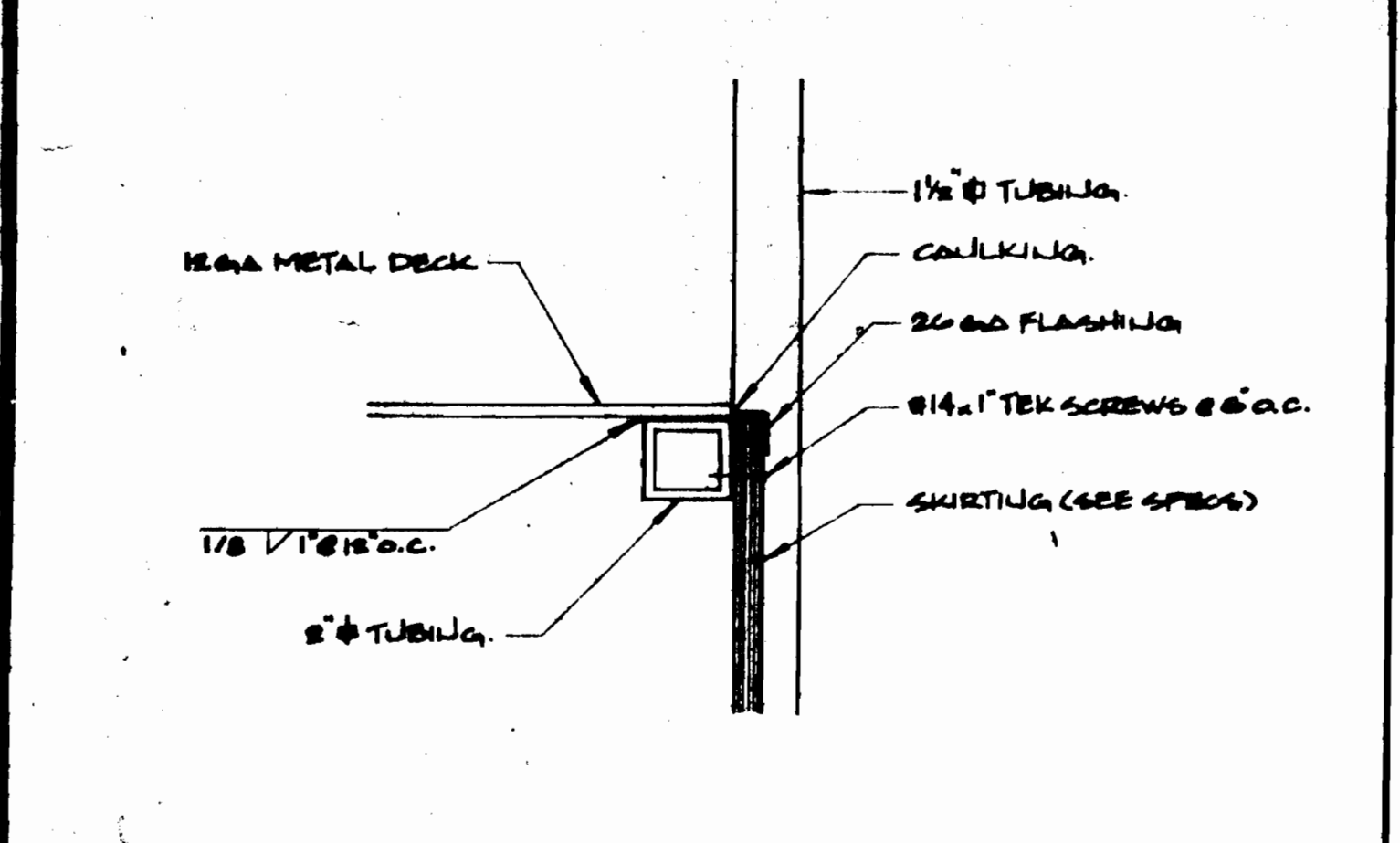
ADJUSTABLE LEG SCALE: 3/4" = 1'



BASE PLATE SCALE: 3" = 1'



RAMP TRANSITION REFERENCE DETAIL 3/C5.01 FOR SLOPES PER CURRENT CODE. SCALE: 1/2" = 1'



SKIRT FLASHING SCALE: 3" = 1'

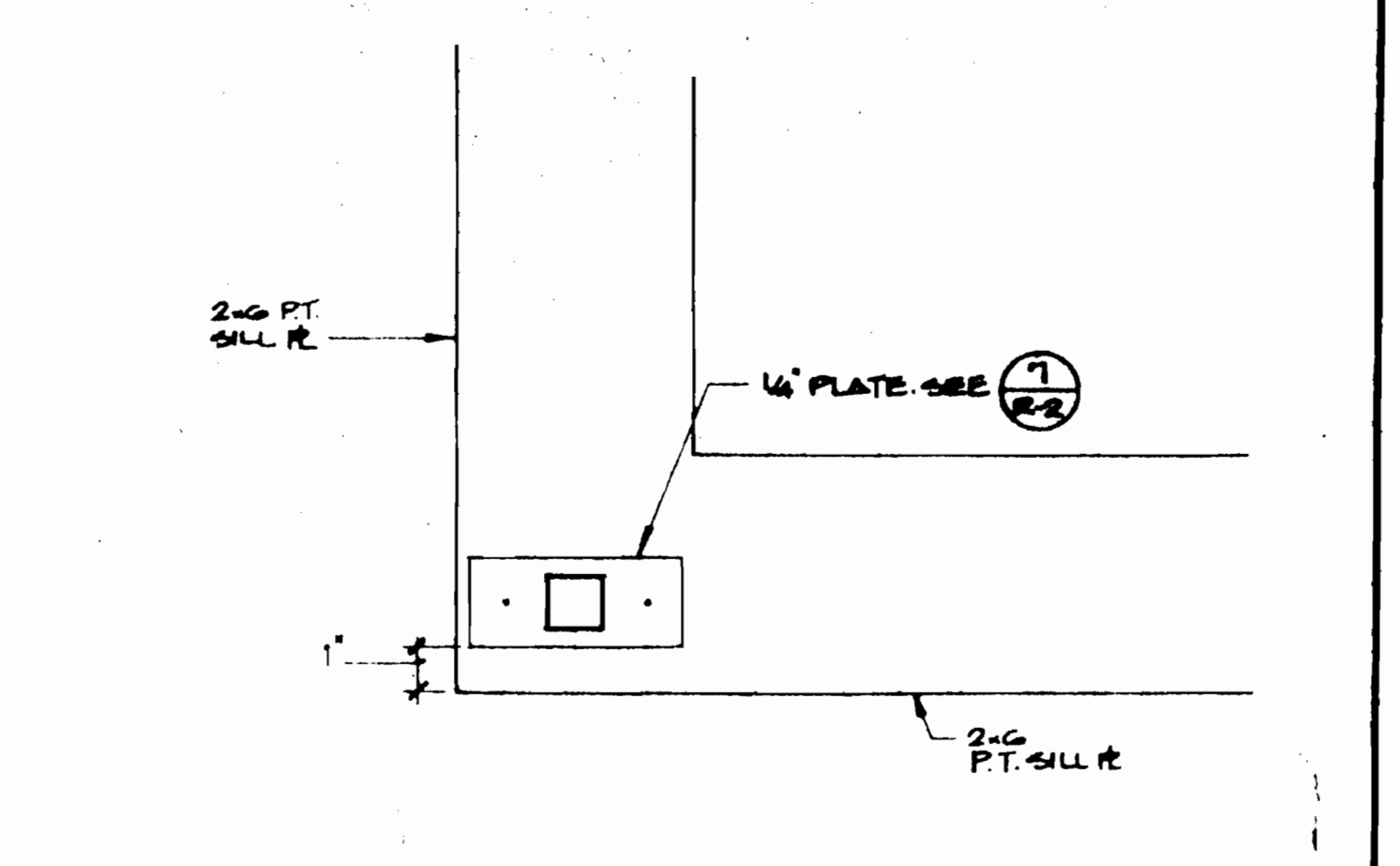
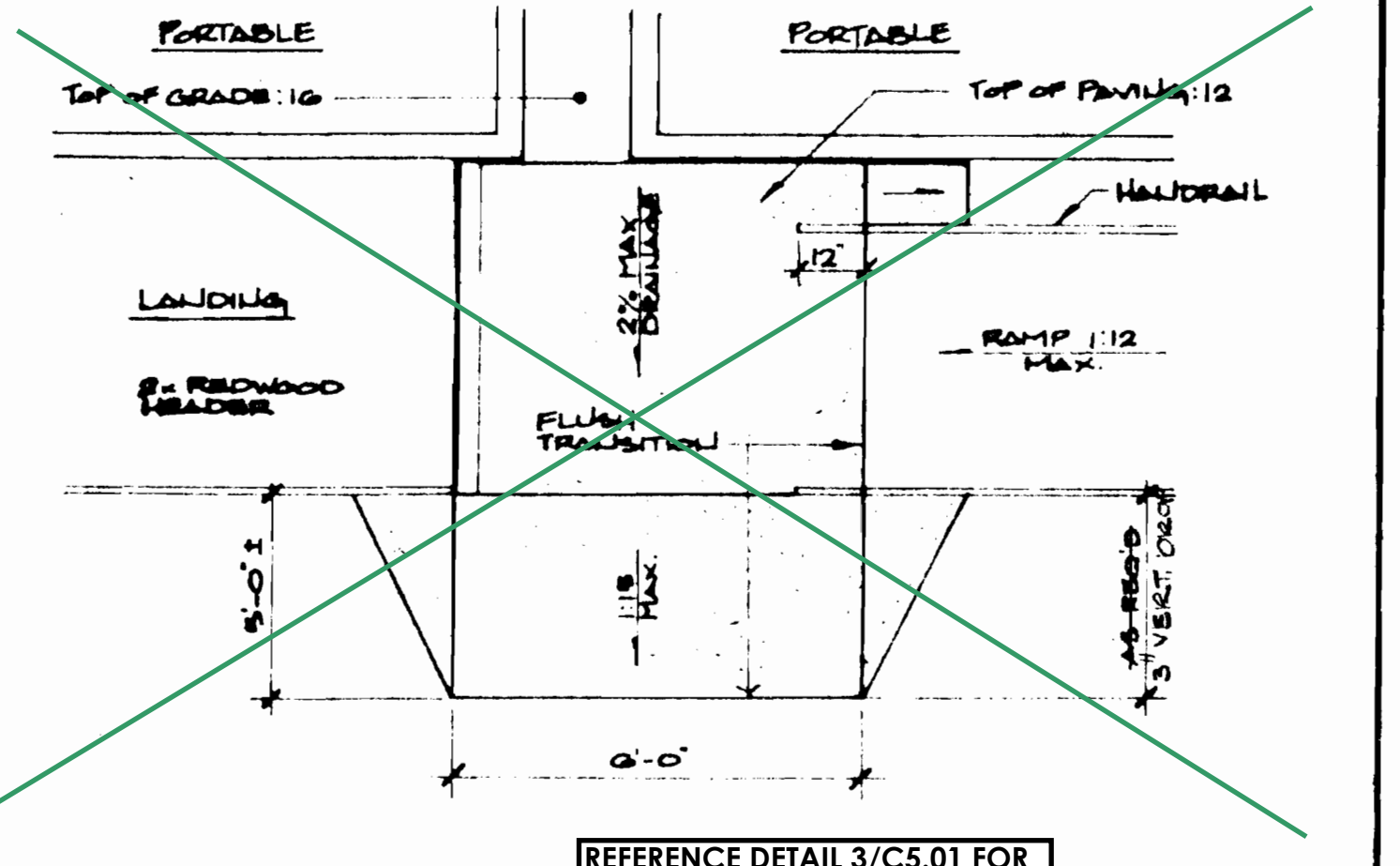


PLATE @ CORNER SCALE: 3" = 1'

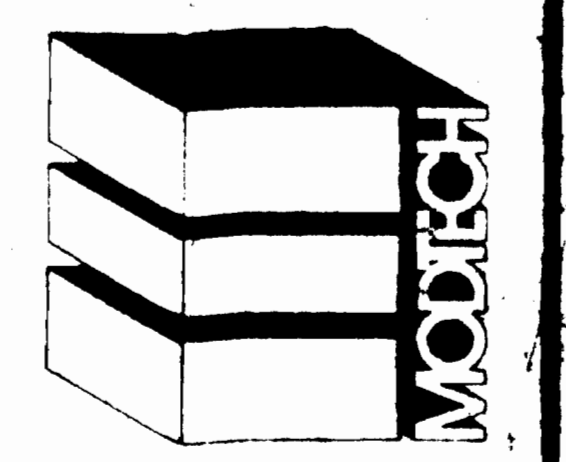


RAMP TRANSITION REFERENCE DETAIL 3/C5.01 FOR SLOPES PER CURRENT CODE. SCALE: 3/8" = 1'

APPROVED
 FIRE AND PANIC ONLY
 SEP 11 2019
 STATE FIRE MARSHAL
 SOUTHERN REGION

A.C.S.
 12 11 2019
 FIRE MARSHAL
 APPROVED
 FIRE AND PANIC ONLY
 MAR 15 2020
 STATE FIRE MARSHAL
 SOUTHERN REGION

MODTECH, INC.
 195 EAST MORGAN STREET
 PERRIS, CA. 92370 (714) 943-4014



JOB # 1312
 RIVERSIDE U.S.D.

BINDING ORDER 16
 12-18-89
R-2

OFFICE OF THE STATE ARCHITECT
 ACCESS COMPLIANCE SECTION
 APPLICATION FOR REVIEW
 56153 SEP 04 '91
 APPROVAL OF THIS PLAN DOES NOT constitute or represent any approval or deviation from applicable regulations or standards as reviewed by



IDENTIFICATION STAMP
 DIVISION OF THE STATE ARCHITECT
 OFFICE OF REGULATION SERVICE
 APPL. #: 04-117971
 AC FLS SS
 DATE
 FILE NUMBER: 33-38

PC - 24